

AL UWL303 TH

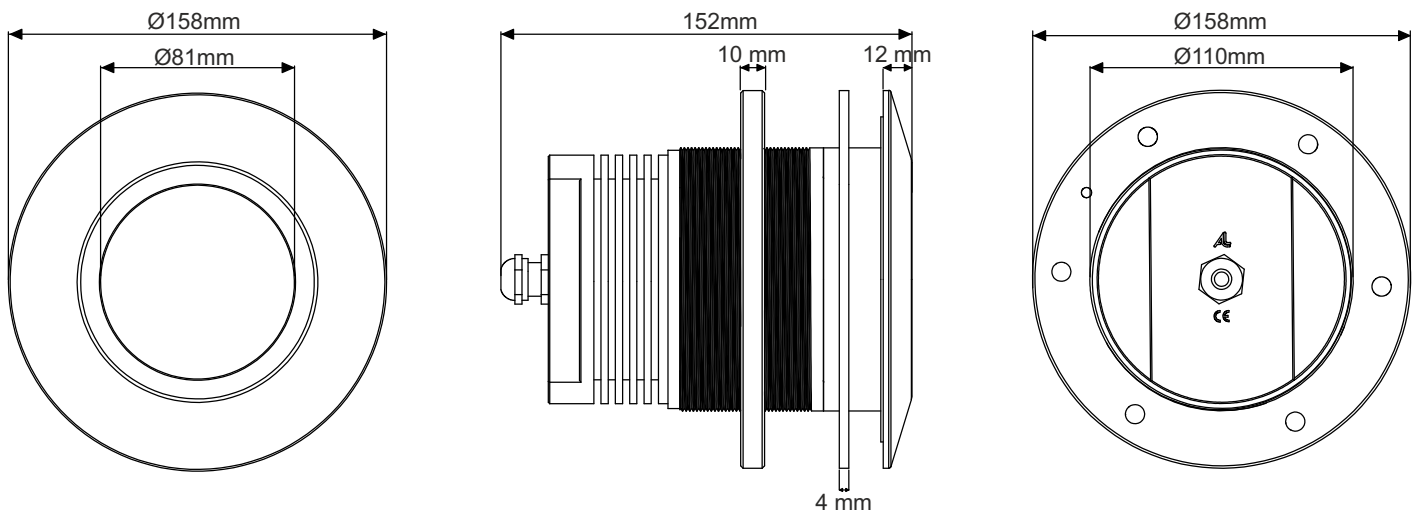


BOAT SIZE : 15-100 mt. / 50-330 ft.

- The resistant toward salt water thanks to Aluminium Bronze body
- Reinforced Aluminum replaceable inner core housing
- The High-Tech Power Led has high watt. Every Led is 5 Watt
- Every LED has 140-160Lumen
- RGBW full colour LED
- 12 mm Shockproof Tempered Glass
- 2x1,5 mm<sup>2</sup> Neopren RNF cable.
- No need to dismantle the entire product when changing LEDs
- Easy to replace by loosening the aluminum lighting capsule from inside the boat. The Aluminum Bronze body remains fixed on the boat.
- You can be connected AHD 2MP 1080P camera to the same housing optionelly.



Product Specifications



Product Code	AL UWL303 TH
Boat Dimensions mt./ft.	15mt. - 100mt. / 50ft. - 330ft.
Single Colour LED	White 64x5W & Royal Blue 64x3W 3535 High Power LED / LED Degree 110°
RGBW Led	RGBW 60x4W 3535 High Power LED / LED Degree 110°
Volt	DC10V-30V
Current 24V / 12V	11.0A - 22.0A
Watt	Single Colour 256W. - RGBW 240W.
LED Colour / Lumen	White 36000 lumen , Royal Blue 13440 lumen
RGBW Colour / Lumen	R: 3000 lumen, G: 7200 lumen, B: 1800 lumen, W: 9000 lumen, RGBW: 21000 lumen
IP Code	IP68 CLASS III
Body Material	Marine Aluminum Bronze Body, Marine Aluminum Led Core
Glass	12 mm. Special Tempered Glass
Product Cable	Single Colour 2 mt. 2x2,5 RNF Marine Cable , RGBW 2 mt. 5x1 RNF Marine Cable
Driver	Internal Constant Current Led Driver
Underwater Camera	Can be applied by modifying the core
Product Sizes	Light Head Diameter: 158mm. , Head Height: 12mm. , Full Length: 152mm. , Glass Diameter: 81mm.
Hole Diameter	110 mm.
Weight	5,800 gr.