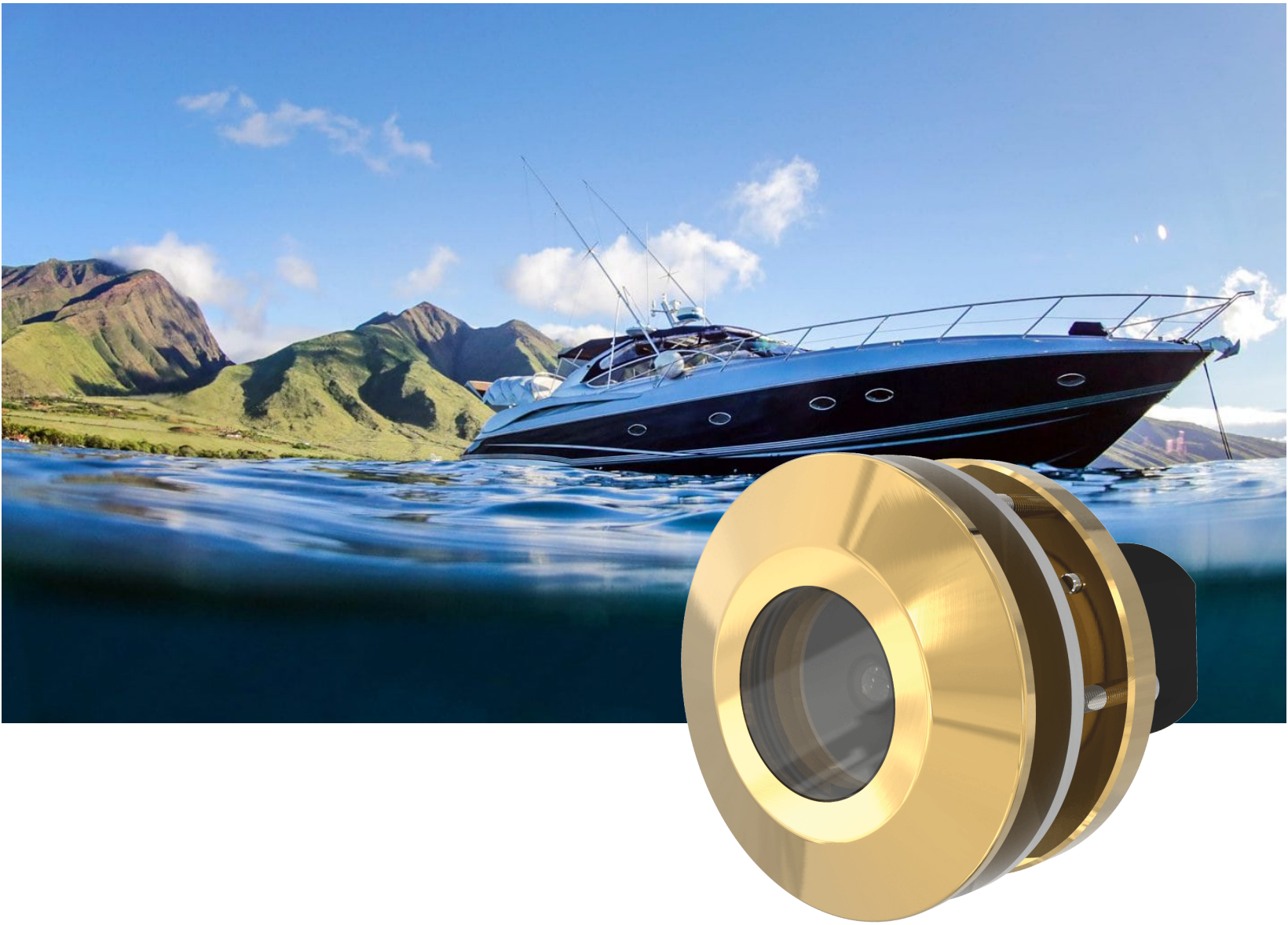


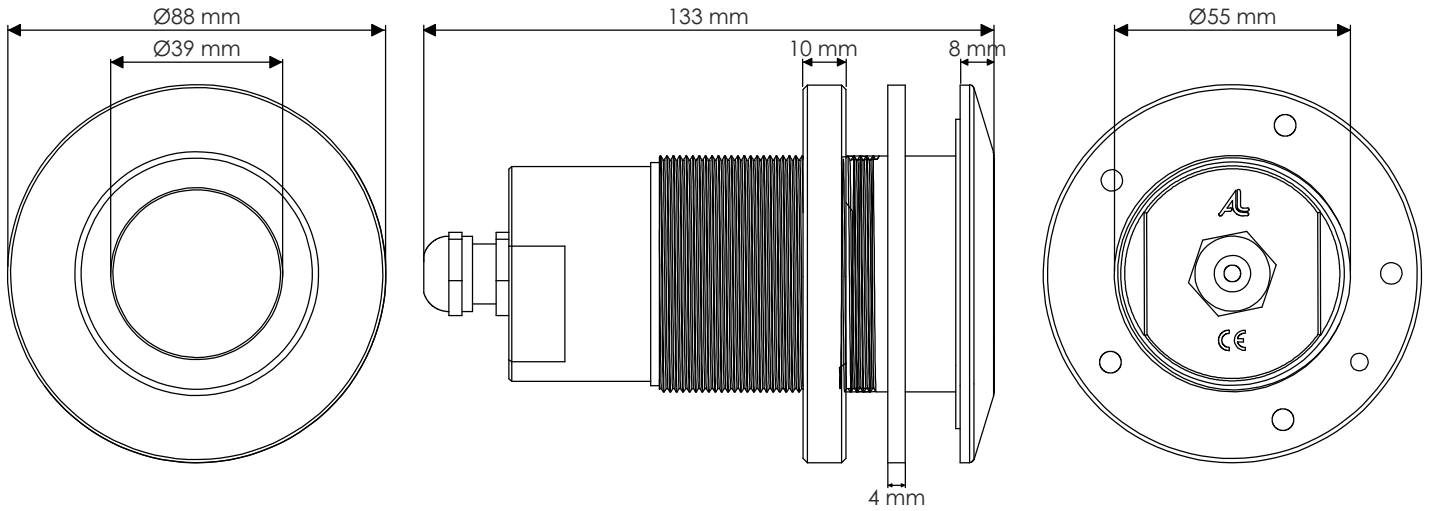
AL UWC301 TH



- Used in all boats.
- The resistant toward salt water thanks to Aluminium Bronze body.
- Reinforced Aluminum replaceable inner core housing.
- 2 MP AHD 1080P Camera
- It gives very low brightness image.
- AHD camera is high resolution.
- 8 mm Shockproof Tempered Glass
- Neopren RNF cable.
- Easy to replace by loosening the aluminum lighting capsule from inside the boat.
The Aluminum Bronze body remains fixed on the boat.



Product Specifications



Product Code	AL UWC301 TH
Resolution	Full HD 1080P
Camera Lens	2MP SONY
Effective Pixels	1920 (H) X 1080 (V)
Lens	3.6 mm Fixed Focus
Lowest Brightness	0,0001 Lux
Signal System	PAL / NTSC
Angle of Vision	90°
Video Output	AHD
Energy Consumption	1 W
Current	0.1A
Input Voltage	12 VDC
Product Cable	IP68 CLASS III
Body Material	Marine Aluminum Bronze Body, Marine Aluminum Led Core
Glass	8 mm. Special Tempered Glass
Product Sizes	Outer Head Diameter: 88mm. , Head height: 8mm. , Full Length: 133mm. , Glass diameter: 39mm.
Hole Diameter	55mm.
Weight	1,610 gr.