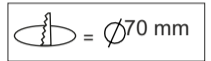
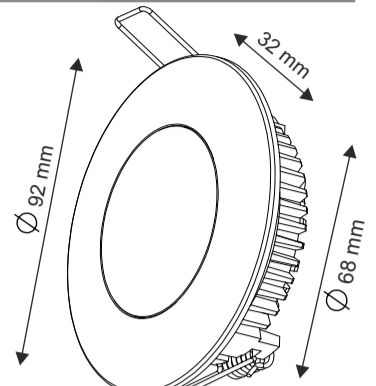


AL 4195 NBL (NICKEL BLACK)



INTERIOR & EXTERIOR DOWNLIGHT

- For all sailing yachts and motor yachts
- UV protected ABS frame
- UV protected PC glass
- Thermal resin cooling body



Product Code	AL 4195 NBL
LED Colours	White, Day Light, Warm White, Blue
Watt	6W
Lumen	600 lumen
Volt	12VDC - 24VDC
Product Size	Frame: 92mm, Height: 32mm, Hole dimension: 70mm

U.V. IP67 CLASS III



IP67 WATERPROOF  
DOWNLIGHT

SPECIFICATIONS

- Do not oxidizable and corrosion
- It has more high light and lumen for per watt through the new technology SMD LEDs.
- To send the light directly. So do not lose the light of led as indirect lighting.
- To emits the light homogeneous through has diffuser particulates PC glass.
- UV protected ABS frame. Chrome, Matt Chrome, Tumbled Copper, Gold painting
- Thermal resin cooler body.
- The light colour : White ( 6500k ) , Day light ( 4000k ) , Warm white ( 3000k ) , Blue

BENEFITS

- Has more bright and lumen through directly lighting
- Has a constant current circuit
- 12-24V 600 lumen 6W
- Long life

